

**SPECIFICATIONS**

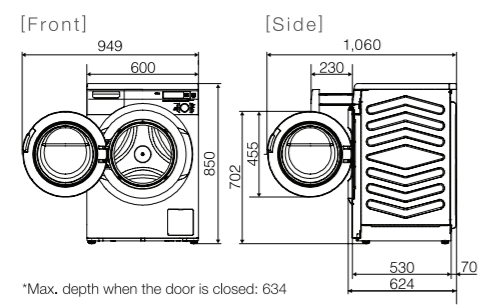
Front Loading Washer		Big Drum 510							
Model		BD-90XAV	BD-80XAV	BD-90YAV	BD-80YAV	BD-W90AV	BD-W80AV	BD-W85AAE	BD-W75AAE
Washing Capacity (kg)		9.0	8.0	9.0	8.0	9.0	8.0	8.5	7.5
Inverter Control		●	●	●	●	●	●	●	●
Max. Spin Speed (r/min)		1400	1400	1200	1200	1000	1000	1200	1200
Variable Spin Control		● (5 steps)	● (5 steps)	● (5 steps)	● (5 steps)	● (5 steps)	● (5 steps)	● (5 steps)	● (5 steps)
Auto Self Clean		●	●	●	●	●	●	●	●
Allergy UK Approval		●	●	●	●	●	●	●	●
Washing Temperature		Max. 90°C	Max. 90°C	Max. 90°C	Max. 90°C	Max. 90°C	Max. 90°C	Max. 90°C	Max. 90°C
Drum Diameter (mm)		510	510	510	510	510	510	510	510
3D Sensor Control Wash		●	●	●	●	●	●	●	●
Antibacterial Shower Lifter		●	●	●	●	●	●	●	●
Antibacterial Gasket		●	●	●	●	●	●	●	●
Dual Vibration Control System	4-Ply Liquid Load Balancer Hydraulic Suspensions	●	●	●	●	●	●	●	●
Anti-Vibration Sidewalls		●	●	●	●	●	●	●	●
Intelligent Sensor Systems	3D Vibration Sensor	●	●	●	●	●	●	●	●
	Revolution Sensor	●	●	●	●	●	●	●	●
	Load Sensor	●	●	●	●	●	●	●	●
	Water Temperature Sensor	●	●	●	●	●	●	●	●
	Water Level Sensor	●	●	●	●	●	●	●	●
	Foam Detection Sensor	●	●	●	●	●	●	●	●
No Spin		●	●	●	●	●	●	●	●
Selectable Water Temperature		● (Cold, 30-90°C)	● (Cold, 30-90°C)	● (Cold, 30-90°C)	● (Cold, 30-90°C)	● (Cold, 30-90°C)	● (Cold, 30-90°C)	● (Cold, 30-90°C)	● (Cold, 30-90°C)
No. of Washing Programs		16	16	16	16	16	16	16	16
Washing Programs		Cotton	Cotton	Cotton	Cotton	Cotton	Cotton	Cotton	Cotton
	Mix	Mix	Mix	Mix	Mix	Mix	Mix	Mix	Mix
	Daily 45	Daily 45	Daily 45	Daily 45	Daily 60	Daily 60	Daily 45	Daily 45	Daily 45
	Rapid 15	Rapid 15	Rapid 15	Rapid 15	Rapid 15	Rapid 15	Rapid 15	Rapid 15	Rapid 15
	Synthetic	Synthetic	Synthetic	Synthetic	Synthetic	Synthetic	Synthetic	Synthetic	Synthetic
	Delicate	Delicate	Delicate	Delicate	Delicate	Delicate	Delicate	Delicate	Delicate
	Outdoor	Outdoor	Outdoor	Outdoor	Outdoor	Outdoor	Outdoor	Outdoor	Outdoor
	Duvet	Duvet	Duvet	Duvet	Duvet	Duvet	Duvet	Duvet	Duvet
	Crease Care	Crease Care	Crease Care	Crease Care	Crease Care	Crease Care	Crease Care	Crease Care	Crease Care
	Cotton Eco	Cotton Eco	Cotton Eco	Cotton Eco	Cotton Eco	Cotton Eco	Cotton Eco	Cotton Eco	Cotton Eco
	Wool <sup>*1</sup>	Wool <sup>*1</sup>	Wool <sup>*1</sup>	Wool <sup>*1</sup>	Wool <sup>*1</sup>	Wool <sup>*1</sup>	Wool <sup>*1</sup>	Wool <sup>*1</sup>	Wool <sup>*1</sup>
	Allergy Care	Allergy Care	Allergy Care	Allergy Care	Allergy Care	Allergy Care	Allergy Care	Allergy Care	Allergy Care
	Tub Clean	Tub Clean	Tub Clean	Tub Clean	Tub Clean	Tub Clean	Tub Clean	Tub Clean	Tub Clean
	Rinse & Spin	Rinse & Spin	Rinse & Spin	Rinse & Spin	Rinse & Spin	Rinse & Spin	Rinse & Spin	Rinse & Spin	Rinse & Spin
	Spin	Spin	Spin	Spin	Spin	Spin	Spin	Spin	Spin
	Drain	Drain	Drain	Drain	Drain	Drain	Drain	Drain	Drain
Optional Menus	Intensive	●	●	●	●	●	●	●	●
	Prewash	●	●	●	●	●	●	●	●
	Extra Rinse	●	●	●	●	●	●	●	●
	Rinse Hold	●	●	●	●	●	●	●	●
	Memory	●	●	●	●	●	●	●	●
	Auto Self Clean	●	●	●	●	●	●	●	●
	Timer	●	●	●	●	●	●	●	●
Self Correction System		●	●	●	●	●	●	●	●
Program Selector	Jog Dial	Jog Dial	Jog Dial	Jog Dial	Jog Dial	Jog Dial	Jog Dial	Jog Dial	Jog Dial
Display	LED (Green)	LED (Green)	LED (Orange)	LED (Orange)	LED (Orange)	LED (Orange)	LED (Orange)	LED (Orange)	LED (Orange)
Auto Power Off		●	●	●	●	●	●	●	●
Standby Power Zero W		●	●	●	●	●	●	●	●
Fully Auto Restart		●	●	●	●	●	● (Semi)	● (Semi)	● (Semi)
Child Lock		●	●	●	●	●	●	●	●
Heat Protective Cover		●	●	●	●	●	●	●	●
180° Open Door		●	●	●	●	●	●	●	●
Removable Worktop for Under-Counter Installation		●	●	●	●	●	●	●	●
Timer Setting	Up to 24hrs	Up to 24hrs	Up to 24hrs	Up to 24hrs	Up to 24hrs	Up to 24hrs	Up to 24hrs	Up to 24hrs	Up to 24hrs
Energy Consumption (kWh / Cycle)		0.74	0.63	0.86	0.78	0.74	0.73	0.98	0.92
Water Consumption (L / Cycle)		44	43	44	43	42	35	41	32
Energy Class (EU Standard)		A+++ (-25%)	A+++ (-28%)	A+++ (-13%)	A+++ (-11%)	A+++ (-25%)	A+++ (-17%)	A++	A++
Spin Class (EU Standard)		A	A	B	B	B	B	B	B
Dimensions WxHxD (mm) <sup>*2</sup>		600x850x624	600x850x584	600x850x624	600x850x584	600x850x624	600x850x584	600x850x624	600x850x584
	(Without Worktop)	600x820x624	600x820x584	600x820x624	600x820x584	600x820x624	600x820x584	600x820x624	600x820x584
Minimum Installation W		606	606	606	606	606	606	606	606
Dimensions (mm)	H	823	823	823	823	823	823	823	823
	D	603	563	603	563	603	563	603	563
Weight (Net / Gross, kg)		63 / 67	61 / 65	63 / 67	61 / 65	63 / 67	61 / 65	67 / 71	66 / 70
Color		Metallic Gray / Champagne / Black / White	Metallic Gray / Champagne / Black / White	White	White	White	White	White	White

\*1 Woolmark Approved \*2 Including drain hose and water supply hose.  
 ©Specifications and designs are subject to change without notice.

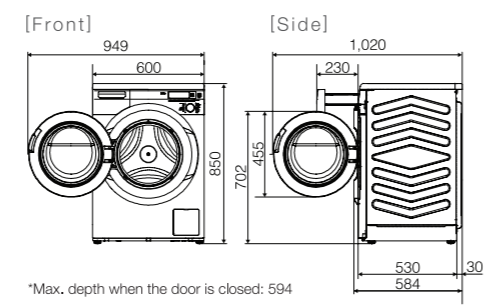
Body :  Metallic Gray  Champagne  Black  White

**Dimensions (mm)**

**9.0kg/8.5kg**



**8.0kg/7.5kg**



**Washing Machine**

**HITACHI**  
Inspire the Next



**Auto Self Clean**

Eco-technologies ensure energy-saving and eliminate harmful materials while new high-performance features enhance everyday life!

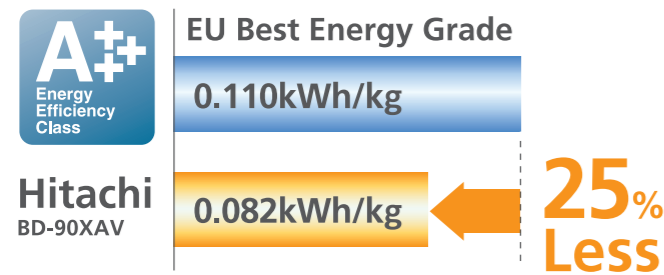
# Powered Inverter

POWERED  
INVERTER

World top class energy savings, water savings with quick washing.

## Energy Savings

The compact motor delivers high performance for smart energy saving. Energy consumption is 25% less than that required to qualify for the highest EU Energy Efficiency Class rating (A+++).



\*All figures are based on EU Energy Label.

## Water Savings

**4.8L/kg** Water Consumption\*  
\*BD-90XAV

## Quick Washing

Daily 45 and Rapid 15 course are available to cut down your washing time even more.

**45min / 15min**  
Programs Available

\*Daily 45 is for BD-90/80XAV, BD-90/80YAV, BD-85/75AAE only. BD-W90/W80AV have Daily 60 instead.

## Intelligent Sensor Systems

Intelligent Sensor Systems detect load size and fabric type to determine both appropriate washing time and amount of water to use. The result is outstanding washing performance with no wasted energy or water.

- Load Sensor**  
Detects the size of the load, and determines the amount of water to use and the washing time for optimum energy saving operation.
- 3D Vibration Sensor\***  
Detects drum rotation in three dimensions, determines the type of fabric being washed, and working with the Revolution Sensor, controls drum rotation speed to minimize vibrations. \*Applies to BD-90/80XAV, BD-90/80YAV.
- Water Temperature Sensor**  
Constantly monitors water temperature to maintain the set temperature and prevent energy wasting overheating. The sensor also detects the temperature of the tap water to set the optimum washing time.
- Revolution Sensor**  
Constantly monitors drum rotation speed during washing and spin-drying, working with the 3D Vibration Sensor to maintain optimum rotation speed.
- Foam Detection Sensor**  
Detects excessive foam generated when too much detergent is used.
- Water Level Sensor**  
Sets the optimum water level to match the load while constantly monitoring conditions to prevent water wastage.



# Auto Self Clean – The Tub Stain Fighter

AUTO  
SELF  
CLEAN



Every time you do your laundry, the washing machine automatically cleans itself. Keep the tub clean for more hygienic washing result.

## These places easily get dirty!

The dirt doesn't easily accumulate where water collects or where it hits during spin-drying. In the places that aren't touched by water, however, dirt gradually accumulates with daily use.



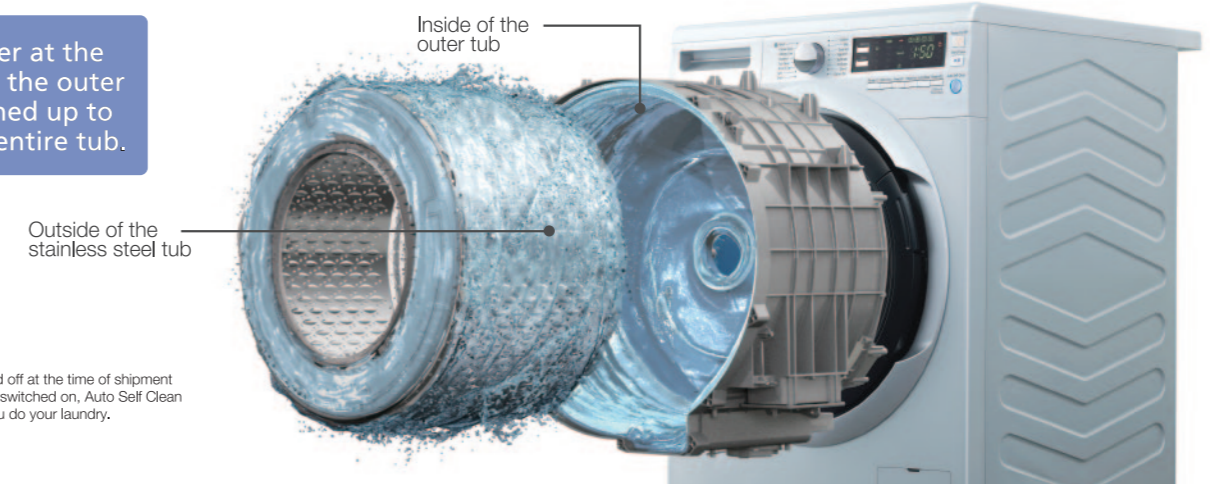
Dirt behind the front cover of the outer tub    Dirt on the front of the stainless steel tub    Dirt on the inside of the outer tub

\*Hitachi washer-dryer (made in Japan). The level of dirt differs depending on conditions of use.

## 99% Mold & Bacteria Reduction

\* Tested by Kitasato Research Center for Environmental Science \* Test methods: Measurement of the rate of decrease of bacteria on plates attached to the outer tub and the stainless steel tub when using the Auto Self Clean function. Measurement of the rate of decrease of mold spores on culture plates attached to the outer tub and the stainless steel tub when using the Auto Self Clean function.

Clean water at the bottom of the outer tub is pushed up to clean the entire tub.

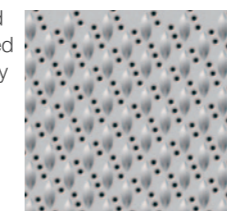


\*The setting is switched off at the time of shipment from the factory. Once switched on, Auto Self Clean operates every time you do your laundry.

## Clean Design

### Holes for a Cleaner Tub

Dirt and detergent residue are removed every time you spin-dry. Neatly arranged inner drum holes spray water uniformly over the entire surface of the outer drum.



### Antibacterial & Antimold\* Shower Lifter and Gasket

Where water and dirt accumulate and mold easily grows, incorporate antimicrobial materials.

\*Tested by BOKEN.



### Tub Clean Program for Attached Dirt

Using special detergent, the Tub Clean program thoroughly removes attached dirt. Regularly using this program with Auto Self Clean keep the tub exceptionally clean.

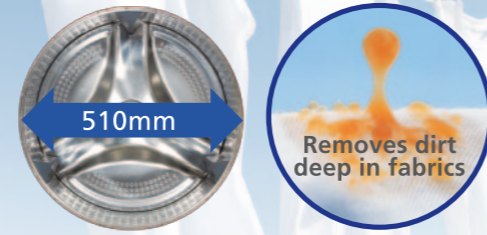


# Big Drum 510

Thoroughly washes big 9.0 / 8.0kg loads

## Powerful Beat Washing

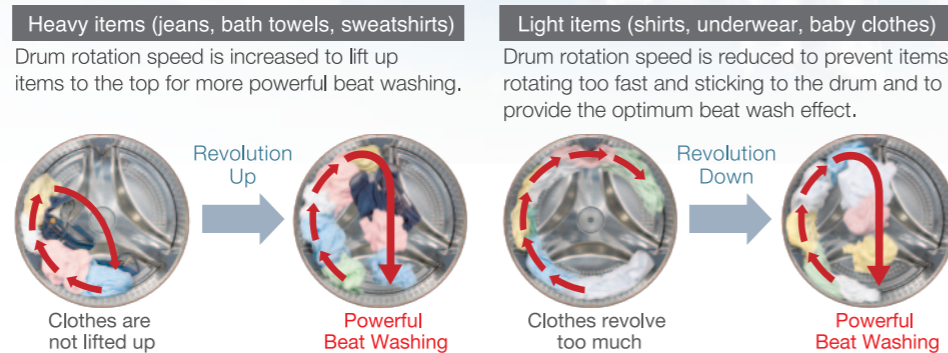
Hitachi's Big Drum 510 provides a powerful beat washing effect, letting clothes to be lifted up and dropped down in the large 510mm diameter drum.



## 3D Sensor Control Wash\*

The 3D Vibration Sensor, Load Sensor and Revolution Sensor work together to detect the fabric type and wash load, and control drum rotation speed to maximize the beat washing effect. The Load Sensor also controls the amount of water used to match the load size.

\*Applies to the BD-90/80XAV, BD-90/80YAV.



## Cold to 90°C Wash

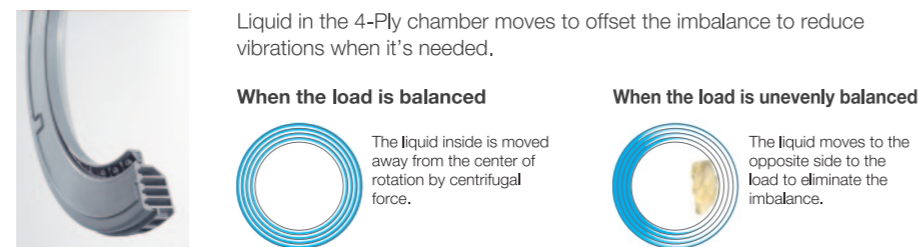
You can set the water temperature to match the items being washed and the degree of soiling. Washing in water as hot as 90°C lets you enjoy extra clean laundry.

## Dual Vibration Control System

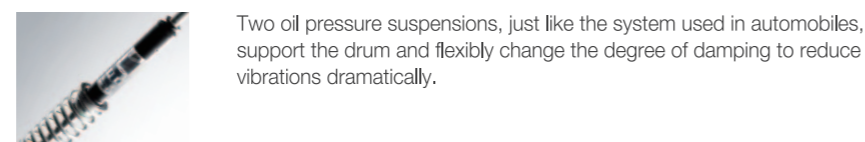
Hitachi's unique, quiet, anti-shake washing machines transmit hardly any vibrations. 4-Ply Liquid Load Balancer and High-Damping Hydraulic Suspension enables exceptionally quiet operation.



### 4-Ply Liquid Load Balancer



### High-Damping Hydraulic Suspension



### Anti-Vibration Sidewalls

Even the sidewalls are designed to reduce noise and vibrations.

# User-Friendly Functions

## LED Multi Function Display

Menus and program indications are easily understood with multiple pictographs.



## 180°Open Door and Large 330mm Diameter Opening



### Self Correction System

During operation, if a lot of foam develops or the tub becomes unbalanced preventing regular spin-drying, operation is automatically corrected.



**Auto Power Off**  
To avoid wasting energy, power is automatically switched off after operation.

**Standby Power Zero W**  
When not operating, Hitachi front loading washers use no electricity.

**Fully Auto Restart!**  
The laundry cycle (wash/rinse/spin) is memorized in the event of power cut off. Automatically restarts from the beginning when power is restored.

**Child Lock**  
This disables the operation buttons and dial, and also locks the door.

**Water Leak Detection (Optional)**  
The water supply is automatically stopped, and alerted in the event of leaks.

## Under-Counter Installation

If you intend to install the unit under a counter, be sure to measure the size of the counter before purchasing. A space of 3mm at both top and back and 6mm at both sides are required.

**Removable Worktop**  
The worktop of 30mm is detachable for neat installation under a counter. The 560mm deep, 8.0/7.5kg models are just right for the standard counter size.

**Height Adjustment**  
If there's too much space between the counter and the top of the unit, you can use the four adjustable feet to make 12mm taller.

**Heat Protective Cover**  
You will never burn yourself from accidentally touching when in operation.  
\*Applies to the BD-90/80XAV.

# Safety and Comfort

## Safety Measures that go one step beyond

As well as manufacturing all of its products in accordance with international safety standards, Hitachi has established its own original safety standards and implemented through measures to contain problems in the event of a part malfunctioning when used in even harsher environments and conditions. Adhering to our strict manufacturing and engineering practices, we at Hitachi are doing everything possible to protect your valuable property.



### Motor/ Heaters

The motor is covered with flame retardant cover and steel plate to protect them from overheating.



### Printed Circuit Boards

Urethane mounted on circuits protects them from humidity even if condensation forms on the circuit board. It is also covered with a steel plate cover to prevent from deterioration of insulation after extended use.



○Listed Above are just a few examples of many safety measures.

## Powered Inverter Series

BD-90XAV 9.0kg  
BD-80XAV 8.0kg



Metallic Gray



Champagne



Black



White

### Features

- Powered Inverter
- Auto Self Clean
- Big Drum 510
- Dual Vibration Control System
- Intelligent Sensor System
- 3D Sensor Control Wash
- LED Multi Function Display
- Self Correction System
- 180° Open Door
- Heat Protective Cover
- Auto Power Off
- Standby Power Zero W
- Fully Auto Restart
- 16 Programs
- 9 Optional menus
- Special Program Mix/ Daily 45/ Duvet/ Allergy Care/ Crease Care
- Memory Option

BD-90YAV 9.0kg  
BD-80YAV 8.0kg



White 9.0kg



White 8.0kg

### Features

- Powered Inverter
- Auto Self Clean
- Big Drum 510
- Dual Vibration Control System
- Intelligent Sensor System
- 3D Sensor Control Wash
- LED Multi Function Display
- Self Correction System
- 180° Open Door
- Auto Power Off
- Standby Power Zero W
- Fully Auto Restart
- 16 Programs
- 9 Optional menus
- Special Program Mix/ Daily 45/ Duvet/ Allergy Care/ Crease Care
- Memory Option

BD-W90AV 9.0kg  
BD-W80AV 8.0kg



White 9.0kg



White 8.0kg

### Features

- Powered Inverter
- Auto Self Clean
- Big Drum 510
- Dual Vibration Control System
- Intelligent Sensor System
- LED Multi Function Display
- Self Correction System
- 180° Open Door
- Auto Power Off
- Standby Power Zero W
- Fully Auto Restart
- 16 Programs
- 9 Optional menus
- Special Program Mix/ Daily 60/ Duvet/ Allergy Care/ Crease Care
- Memory Option

## Standard Series

BD-W85AAE 8.5kg  
BD-W75AAE 7.5kg



White 8.5kg



White 7.5kg

### Features

- Auto Self Clean
- Big Drum 510
- Dual Vibration Control System
- LED Multi Function Display
- Self Correction System
- 180° Open Door
- Auto Power Off
- Standby Power Zero W
- Semi Auto Restart
- 16 Programs
- 9 Optional menus
- Special Program Mix/ Daily 45/ Duvet/ Allergy Care/ Crease Care
- Memory Option

## Designed for Your Peace of Mind



### Allergy UK

Auto Self Clean has been awarded the Seal of Approval by Allergy UK. By reducing mold, house dust mites and bacteria, this program provides worry-free washing for people with delicate skin and families with a baby.



### Woolmark

The Wool program is approved by The Woolmark Company for the washing of machine washable wool products. M1241